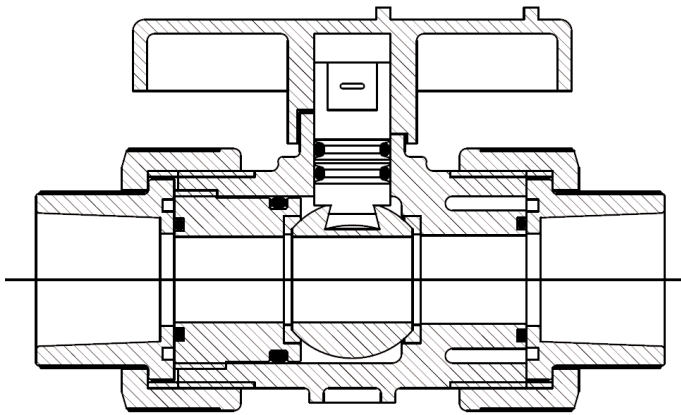


SERIES MBV • 2-Way Manual Ball Valves 3" & 4"

An engineered true union ball valve for manual and actuated valve applications



Each valve is 100% individually inspected and tested prior to shipment.

Features:

- Full port.
- Bi-directional flow.
- Low maintenance and extended operational life.
- Handle equipped as a spanner device to adjust carrier.
- PTFE seat energized by O-ring.
- Ball machined and tumbled to ensure roundness.
- Special mounting pads are molded on body for actuator mounting or valve anchoring.
- Blow-out proof stem.
- Safety shear stem design.
- Double O-ring seal on stem.

Materials of Construction:

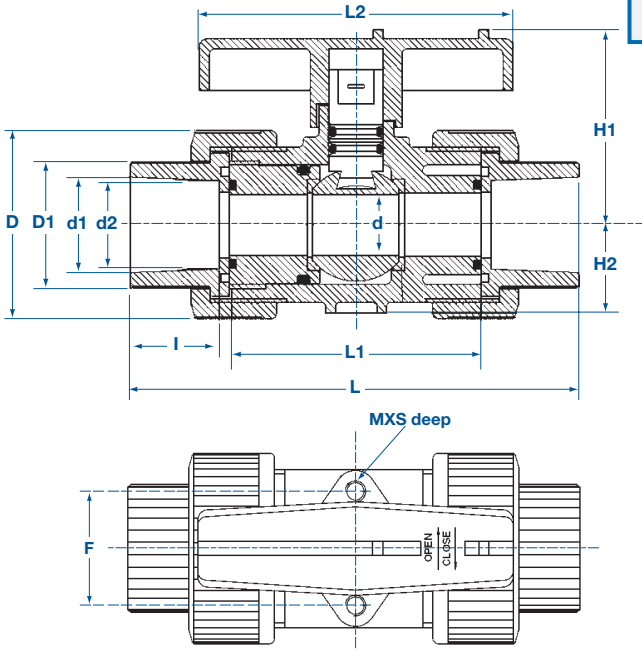
- PVC:** Class 1245B per ASTM D1784\
- CPVC:** Class 1245B per ASTM D1784
- PP:** Class PP 110B76383 per ASTM D4101
- PVDF:** Type 1 per ASTM D3222
- Seals:** EPDM or FKM
- Seats:** PTFE

Ordering Information

Order by part number and specify exact chemicals, temperatures and pressures. To arrive at the proper part number, please consult diagram below. The letters and numbers used in this part number are for example only!

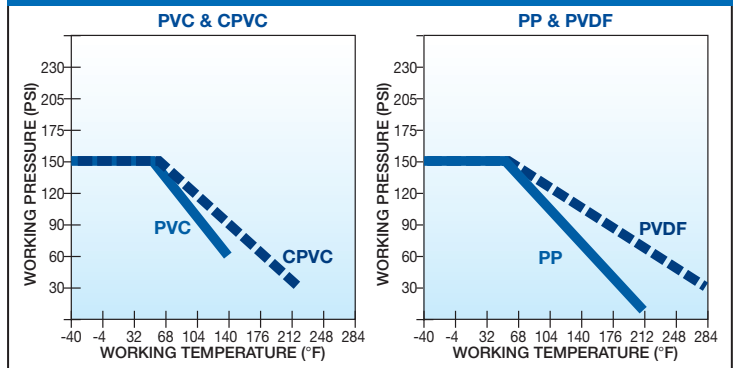
MBV MANUAL BALL VALVE	300 VALVE PIPE SIZE 300 3" 400 4"	X SPECIAL DESIGNATION When "X" appears in this spot, it designates BSP threads or millimeter sockets.	V SEAL MATERIAL V FKM EP EPDM	T CONNECTIONS S Socket Ends T Threaded Ends F Flanges* <i>*Flanges are not usually needed with true-union ball valves.</i>	-PV BODY MATERIAL -PV Polyvinyl Chloride (PVC) -CP Chlorinated Polyvinyl Chloride (CPVC) -PP Virgin Polypro -PF PVDF
---------------------------------	---	--	---	--	--

VENTED BALL —
Add "Z-EBV-VENT" for sodium hypochlorite.



Approximate Flow Rates at 1.0 PSI (0,07 Bar) Pressure Drop		
Valve Sizes	3"	4"
Cv Factor	485	768

MATERIAL GUIDELINE FOR PRESSURE & TEMPERATURE



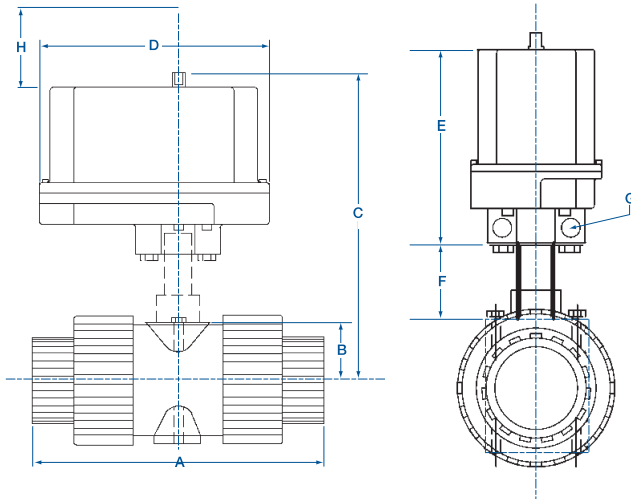
DIMENSIONS

Nom. Size	PVC & CPVC						PP & PVDF						d		D		D 1		L		L 1		L 2		H 1	
	I	d 1	d 2	I	d 1	d 2	I	d 1	d 2	I	d 1	d 2														
3"	2.269	57.6	3.516	89.3	3.492	88.7	2.008	51.0	3.555	90.2	3.547	90.0	2.717	69.0	6.299	160.0	4.252	108.0	11.929	303.0	6.220	158.0	8.819	224.0	5.118	130.0
4"	2.250	57.1	4.518	114.7	4.491	114.0	2.402	61.0	4.346	110.2	4.335	110.0	3.898	99.0	8.858	225.0	4.252	108.0	12.835	326.0	6.929	176.0	10.945	278.0	7.008	178.0

SERIES EBV • Electrically Actuated Ball Valves 3" & 4"

Lightweight and rugged, this all-thermoplastic enclosure is designed to meet NEMA 4 standards

Each actuator is 100% individually inspected and tested prior to shipment.



Features:

- Heavy-duty gears can reduce down time due to gear failure.
- Permanent lubrication requires little or no maintenance.
- NEMA IV enclosure, provides protection against splashing, seepage, falling or hose-directed water and severe external applications.
- Open/Close Limit Switches: SPDT limit switches permit independent fine-tuning of open and close position.
- Cam-adjusted limit switches assure fast and easy adjustments.
- Extensive selection ranging from 100 in/lb to 27300 in/lb torque.
- Actuators can be mounted and operated in any position
- Actuators can be used on diverse valve types and in a wide range of applications
- Thermally bonded polyester coating provides a high degree of corrosion resistance
- Stainless steel fasteners provide maximum corrosion protection for severe applications
- Terminal strip assures a fast and easy field installation.
- Thermal over-load protection should the actuator become stalled.
- Reversing Motor.

VALVE & ACTUATOR ASSEMBLY – MODEL NUMBERS & DIMENSIONS

Pipe Size	Actuator* with Valve Model No.	A		B		C		D		E		F		H		G
		IN.	MM	IN.	MM	IN.	MM	IN.	MM	IN.	MM	IN.	MM	IN.	MM	
3"	EBV-300 –	11.93	303.00	7.28	184.90	18.54	470.90	8.50	216.00	7.00	178.00	2.78	70.60	4.00	101.60	1/2" NPT
4"	EBV-400 –	12.83	325.80	10.35	262.80	21.61	548.80	8.50	216.00	7.00	178.00	2.78	70.60	4.00	101.60	1/2" NPT

* To complete the Model Numbers refer to the ordering chart below. Voltage must be specified with model number.

Accessories & Options:

- Auxiliary Switches: Dry contact switches for position indication or control of peripheral equipment.
- Feedback Potentiometer: Resistive position feedback and control applications
- Control Relays: Two wire control applications.
- Heater and Thermostat: Low temperature or high humidity applications
- Breather and Drain: Humidity control
- Proportional Positioner: Control applications using analog (4-20mA, 0-10dc) signals.
- Feedback Transmitter: Position feedback, 4-20mA
- Speed Control: Applications requiring slow cycle times, i.e. water hammer.
- Timers: Repeat cycle applications, valve open and close at same time every day.
- Visual Indicator: Fast visual valve position indication
- Torque sensor: Shuts actuator off in stall condition.
- Controls: Simple on/off to process control for temperature, pressure, flow, etc.
- Mounting Hardware: To adapt actuator to valve.

Ordering Information

Order by part number and specify exact chemicals, temperatures and pressures. To arrive at the proper part number, please consult diagram below. The letters and numbers used in this part number are for example only!

EBV	300	X	V	T	-PV
ELECTRIC BALL VALVE	VALVE PIPE SIZE		SEAL MATERIAL	CONNECTIONS	BODY MATERIAL
	300 3" 400 4"		V FKM EP EPDM	S Socket Ends T Threaded Ends F Flanges*	-PV Polyvinyl Chloride (PVC) -CP Chlorinated Polyvinyl Chloride (CPVC) -PP Virgin Polypro -PF PVDF
SPECIAL DESIGNATION					
When "X" appears in this spot, it designates BSP threads or millimeter sockets.					
VENTED BALL —					
Add "Z-EBV-VENT" for sodium hypochlorite.					
				*Flanges are not usually needed with true-union ball valves.	