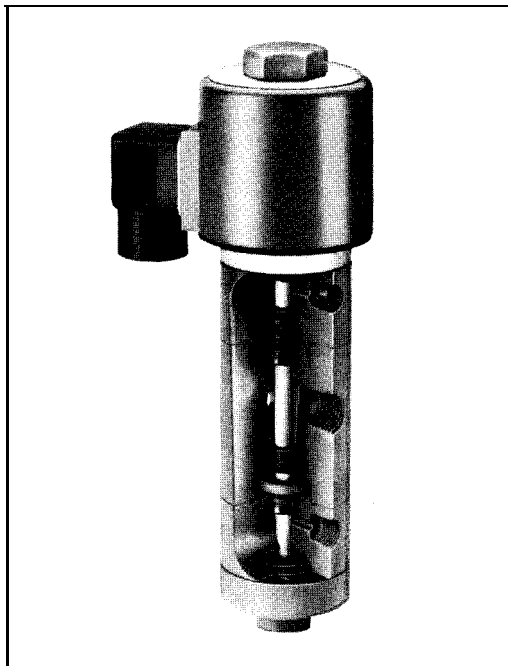


NEW!

Chemical Resistant Two-Way Solenoid Valves Direct Acting - *Normally Open*

**1/4" & 1/2" Sizes With Pressures to 70 PSI
Ideal For Highly Corrosive Acids and High Purity Liquids**



SUPERIOR FEATURES:

- Million cycle bubble-tight design
- Pressure or vacuum service
- Patented Fail-Dry@ vented design
- Non-sticking Teflon@ shaft
- All thermoplastic wetted parts

APPLICATION:

Series EASY-NO solenoid valves are normally open. They are specifically designed for applications which require that the valves remain in the open position to permit continued flow when intentionally de-energized or when it would be dangerous for valves to close or remain closed in the event of an emergency power failure. Normally open valves also offer an energy and cost saving consideration if they are required to be open for a large percentage of the time. These valves can be used with corrosive or ultra-pure liquids, and handle pressure, drain or vacuum applications. They are direct acting and do not require line pressure to aid in closing or opening.

DESIGN AND OPERATION:

Series EASY-NO valves are spring-return, normally open and direct acting with a simple push-pull plunger design. There is no minimum pressure required for operation. Multiple U-cups are mounted around a Teflon shaft for low friction sealing, non-sticking operation, and million cycle design. The multiple U-cup design also allows a stock valve to be used for vacuum or pressure. Poppet seat insures bubble-tight shutoff. The patented Fail-Dry@ vented design helps to avoid emergency shutdowns by providing a visual warning of potential seal failure. A 20 watt continuous duty coil is standard. When the coil is energized, the valve closes and will remain closed until the electrical power is removed. Coils are available in general purpose or explosion-proof, water tight construction. AC voltages are 24, 120, 240 and 480. Consult factory for DC.

MATERIALS OF CONSTRUCTION:

Body material is PVC. Standard seals are Buna-N, Viton® or EPDM. Fasteners are stainless steel. Consult factory for other materials.

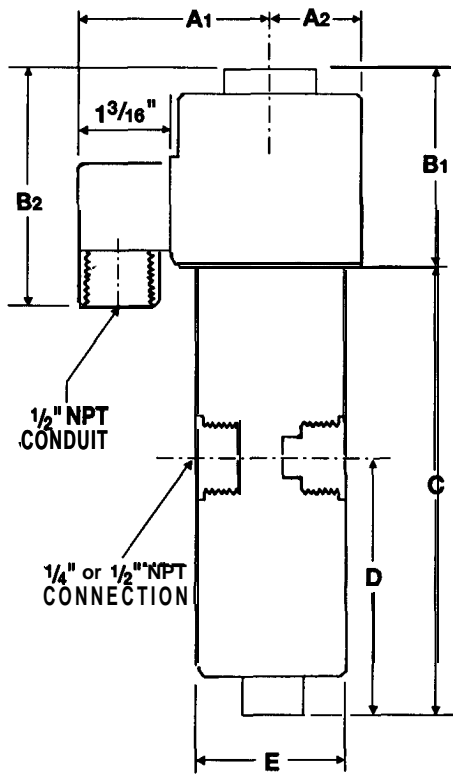
Two-Way Solenoid Valves - Normally Open

BACK PRESSURE RATINGS

An important consideration in solenoid valve selection is the back pressure rating shown in the spec table. Back pressure is caused by the resistance to flow in the piping downstream of the valve. Nozzles, goosenecks, fittings, tubing or reduced outlet piping all create restrictions that raise the back pressure. Excessive back pressure will cause this model valve to remain open when power is applied.

INLET PRESSURE RATINGS

The inlet pressure ratings in the table are at full rated line voltage. If the line voltage is 10% lower, the inlet pressure rating will be about 30% lower.



SOLENOID COIL HOUSING A and B									
Pipe Size	Coil Type	A ₁		A ₂		B ₁		B ₂	
		in	mm	in	mm	in	mm	in	mm
1/4 & v 2	W20 NEMA-4 Water & Dust Proof	2.4	61	1.2	30	2.4	62	3.0	75
	E20 NEMA-7 & 9 Explosion Proof	2.2	55	1.4	35	2.4	62	—	—

VALVE BODY DIMENSIONS						
Pipe Size	C		D		E	
	in	mm	in	mm	in	mm
1/4	5.45	4	1.87	47.79	2.51	63.99

EASY-NO TEMPERATURE vs PRESSURE for PVC						
Max. Temp. Rating	Max. inlet pressures and temp.					
	75°F (24°C) PSI BARS		120°F (49°C) PSI BARS		140°F (60°C) PSI BARS	
140°F (60°C)	70	4,8	60	4,1	40	2,7

SPECIFICATIONS AND MODEL NUMBERS**										
Pipe Size	Orifice Size in mm	C _v	Max. Inlet Pressure PSI BARS		Max. Back Pressure PSI BARS		Buna-N Seals Model Numbers	Viton Seals Model Numbers	EPDM Seals Model Numbers	
1/4	.280 7,1	1.1	70	4,8	1	8	1,2 EASY2B8W20-NO-PV	EASY2V8W20-NO-PV	EASY2EP8W20-NO-PV	
1/2	.280 7,1	1.1	70	4,8	1	8	1,2 EASY4B8W20-NO-PV	EASY4V8W20-NO-PV	EASY4EP8W20-NO-PV	

**Model numbers are shown with "W20" water and dust tight (NEMA-4) coils. If explosion-proof water tight coil is needed then replace "W" with "E".

- NOTES:
1. Max. inlet pressure ratings are at full line voltages of 24, 120, 240, etc. For a 10% voltage reduction these inlet pressure ratings will be approximately 30% lower.
 2. For other materials and quantity requirements, contact factory.

AUTHORIZED PLAST-O-MATIC DISTRIBUTOR

PLAST-O-MATIC
VALVES, INC.



1384 Pompton Ave., Cedar Grove, New Jersey 07009
(973) 256-3000 • Fax: (973) 256-4745 • www.plastomatic.com