

# Series "FC" FLOW CONTROL VALVES

## Single Diaphragm

### INSTALLATION INSTRUCTIONS

The flow control valve shall be installed in the system in the proper flow orientation as indicated by the label on the body of the flow control. The inlet is the side where you can see an O-ring (marked 1 on sketch) holding the diaphragm in place. An in-line strainer or filter should be installed before the flow control when suspended solids are present, and for all applications below 1.0 GPM. A suitable thread sealant (e.g. Teflon tape) should be applied to the threads to effect a leak-tight seal. The assembly need only be made hand tight followed by a quarter turn more with a strap wrench. Do not overtighten nor use a pipe wrench on plastic pipe.

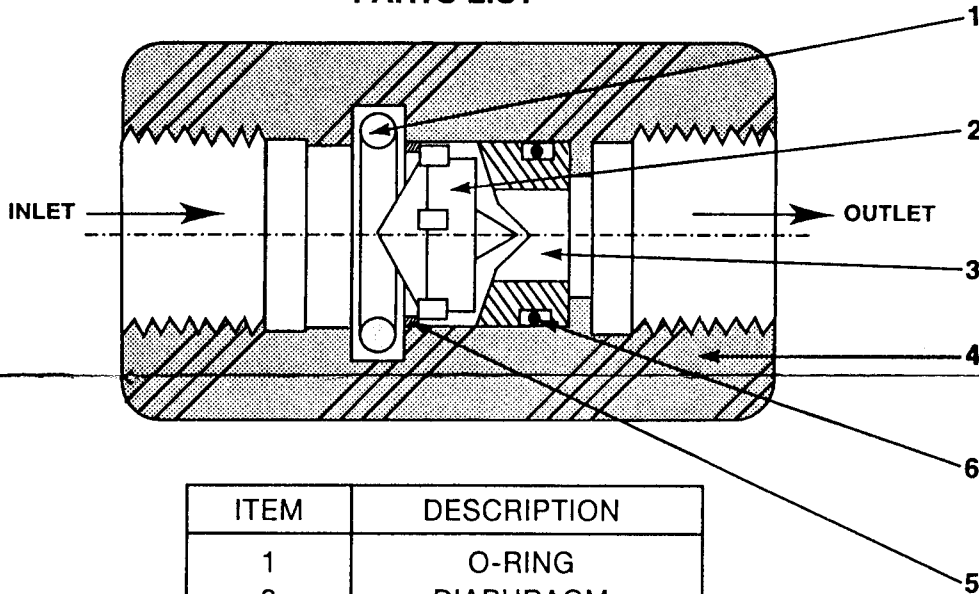
### OPERATING INSTRUCTIONS

Series "FC" flow controls are used to maintain a constant pre-determined flow in a system and are not adjustable. A minimum pressure drop of 15 psi across the flow control is required to achieve the nominal flow rate. Inlet pressure can vary from 15 psi to 120 psi.

#### CAUTION:

- This flow control is designed for liquids similar in viscosity & density to water. All applications should be tested for flow characteristics and chemical compatibility to insure desired results. Swelling of the diaphragm in certain liquids will result in loss of flow rate accuracy.
- The accuracy of Series "FC" flow controls is typically  $\pm 10\%$  for Buna-N and  $\pm 15\%$  for EPDM. Due to variations in rubber molding it is impossible to precisely control the rubber characteristics. Therefore, the accuracy cannot be guaranteed. If the required flow rate is critical in the application, the use of this product should be reconsidered.

### PARTS LIST



ITEM	DESCRIPTION
1	O-RING
2	DIAPHRAGM
3	ORIFICE PLATE
4	BODY
5	WASHER
6	O-RING

# Series "FC"

## FLOW CONTROL VALVES

### Multiple Diaphragms

#### INSTALLATION INSTRUCTIONS

The flow control valve shall be installed in the system in the proper flow orientation as indicated by the label on the body of the flow control. An in-line strainer or filter should be installed before the flow control when suspended solids are present. A suitable thread sealant (e.g. Teflon tape) should be applied to the threads to effect a leak-tight seal. The assembly need only be made hand tight followed by a quarter turn more with a strap wrench. Do not overtighten nor use a pipe wrench on plastic pipe.

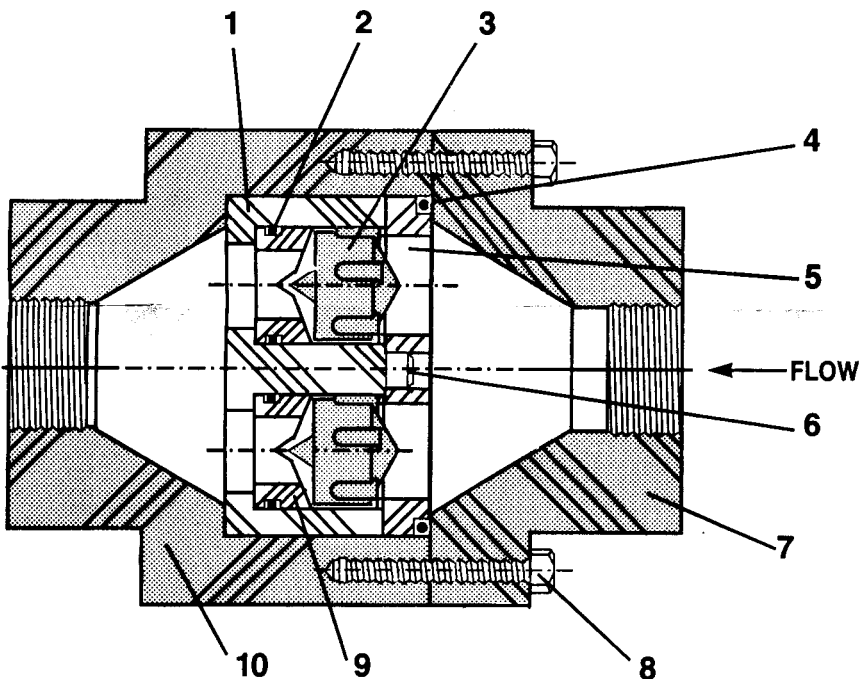
#### OPERATING INSTRUCTIONS

Series "FC" flow controls are used to maintain a constant pre-determined flow in a system and are not adjustable. A minimum pressure drop of 15 psi across the flow control is required to achieve the nominal flow rate. Inlet pressure can vary from 15 psi to 120 psi.

#### CAUTION:

- This flow control is designed for liquids similar in viscosity & density to water. All applications should be tested for flow characteristics and chemical compatibility to insure desired results. Swelling of the diaphragm in certain liquids will result in loss of flow rate accuracy.
- The accuracy of Series "FC" flow controls is typically  $\pm 10\%$  for Buna-N and  $\pm 15\%$  for EPDM. Due to variations in rubber molding it is impossible to precisely control the rubber characteristics. Therefore, the accuracy cannot be guaranteed. If the required flow rate is critical in the application, the use of this product should be reconsidered.

#### PARTS LIST



ITEM	DESCRIPTION
1	DIAPHRAGM MOUNTING PLATE
2	ORIFICE PLATE O-RING
3	DIAPHRAGM
4	RETAINING PLATE O-RING
5	RETAINING PLATE
6	PLATE GUIDE
7	INLET BODY
8	ASSEMBLING SCREWS
9	ORIFICE PLATE
10	OUTLET BODY