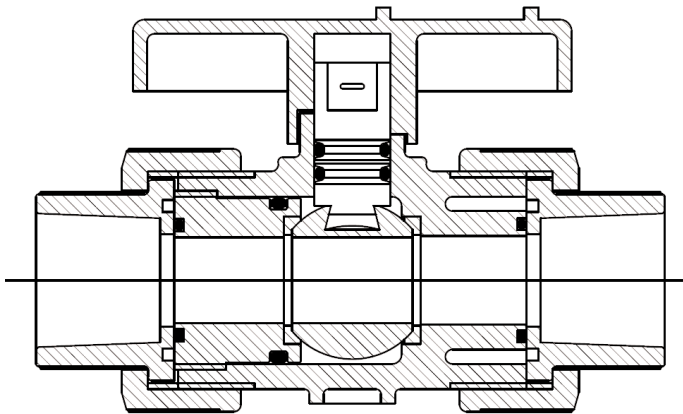


SERIES MBV • 2-Way Manual Ball Valves 3" & 4"

An engineered true union ball valve for manual and actuated valve applications



Each valve is 100% individually inspected and tested prior to shipment.

Features:

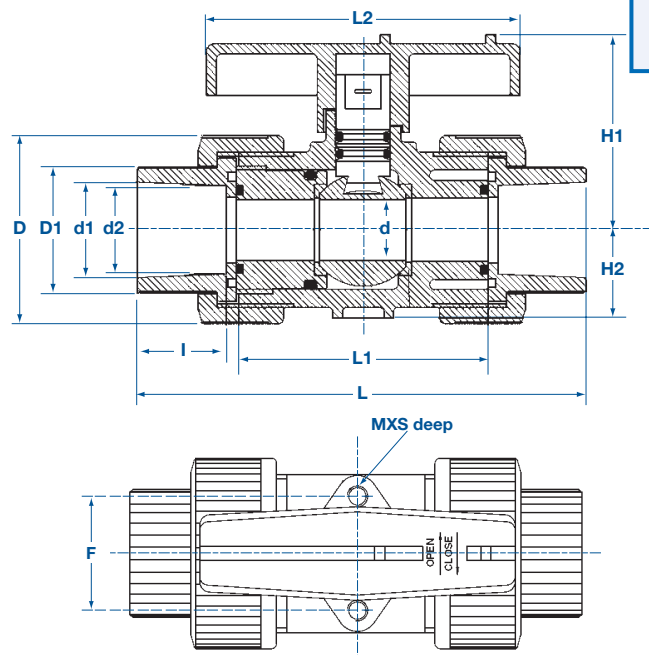
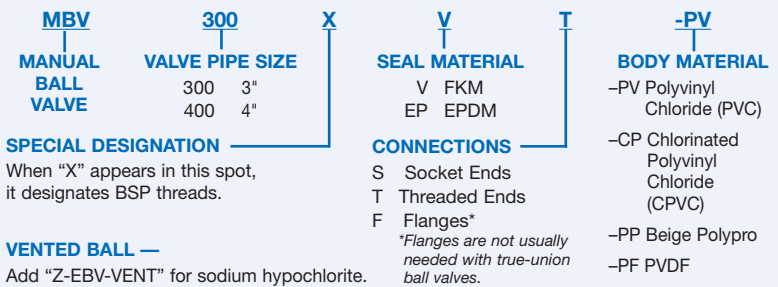
- Full port.
- Bi-directional flow.
- Low maintenance and extended operational life.
- Handle equipped as a spanner device to adjust carrier.
- PTFE seat energized by O-ring.
- Ball machined and tumbled to ensure roundness.
- Special mounting pads are molded on body for actuator mounting or valve anchoring.
- Blow-out proof stem.
- Safety shear stem design.
- Double O-ring seal on stem.

Materials of Construction:

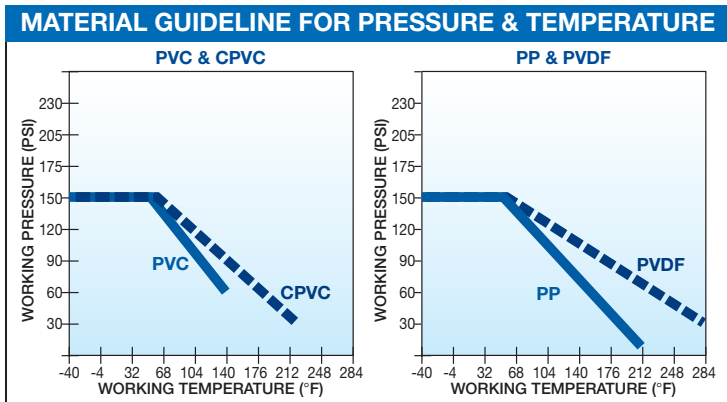
- PVC:** Class 1245B per ASTM D1784\
- CPVC:** Class 1245B per ASTM D1784
- PP:** Class PP 110B76383 per ASTM D4101
- PVDF:** Type 1 per ASTM D3222
- Seals:** EPDM or FKM
- Seats:** PTFE

Ordering Information

Order by part number and specify exact chemicals, temperatures and pressures. To arrive at the proper part number, please consult diagram below. The letters and numbers used in this part number are for example only!



| Approximate Flow Rates at 1.0 PSI (0,07 Bar) Pressure Drop | | |
|--|-----|-----|
| Valve Sizes | 3" | 4" |
| Cv Factor | 485 | 768 |



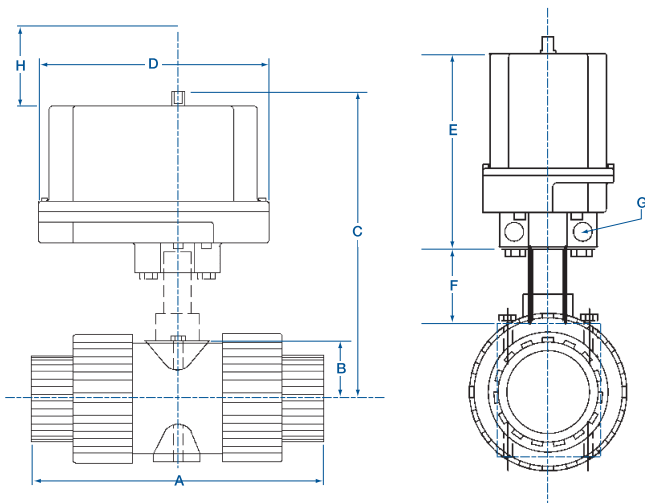
DIMENSIONS

| Nom. Size | PVC & CPVC | | | | | | PP & PVDF | | | | | | d | | D | | D 1 | | L | | L 1 | | L 2 | | H 1 | | | |
|-----------|------------|----|-------|------|-------|-------|-----------|-------|-------|------|-------|-------|-------|-------|-------|------|-------|-------|-------|-------|--------|-------|-------|-------|--------|-------|-------|-------|
| | IN. | MM | IN. | MM | IN. | MM | IN. | MM | IN. | MM | IN. | MM | IN. | MM | IN. | MM | IN. | MM | IN. | MM | IN. | MM | IN. | MM | IN. | MM | | |
| 3" | | | 2.269 | 57.6 | 3.516 | 89.3 | 3.492 | 88.7 | 2.008 | 51.0 | 3.555 | 90.2 | 3.547 | 90.0 | 2.717 | 69.0 | 6.299 | 160.0 | 4.252 | 108.0 | 11.929 | 303.0 | 6.220 | 158.0 | 8.819 | 224.0 | 5.118 | 130.0 |
| 4" | | | 2.250 | 57.1 | 4.518 | 114.7 | 4.491 | 114.0 | 2.402 | 61.0 | 4.346 | 110.2 | 4.335 | 110.0 | 3.898 | 99.0 | 8.858 | 225.0 | 4.252 | 108.0 | 12.835 | 326.0 | 6.929 | 176.0 | 10.945 | 278.0 | 7.008 | 178.0 |

SERIES EBV • Electrically Actuated Ball Valves 3" & 4"

Lightweight and rugged, this all-thermoplastic enclosure is designed to meet NEMA 4 standards

Each actuator is 100% individually inspected and tested prior to shipment.



Features:

- Heavy-duty gears can reduce down time due to gear failure.
- Permanent lubrication requires little or no maintenance.
- NEMA IV enclosure, provides protection against splashing, seepage, falling or hose-directed water and severe external applications.
- Open/Close Limit Switches: SPDT limit switches permit independent fine-tuning of open and close position.
- Cam-adjusted limit switches assure fast and easy adjustments.
- Actuators can be mounted and operated in any position
- Actuators can be used on diverse valve types and in a wide range of applications
- Thermally bonded polyester coating provides a high degree of corrosion resistance
- Stainless steel fasteners provide maximum corrosion protection for severe applications
- Terminal strip assures a fast and easy field installation.
- Electronic torque limiter should the actuator become stalled.
- Reversing Motor, 530 in/lbs.torque.

VALVE & ACTUATOR ASSEMBLY – MODEL NUMBERS & DIMENSIONS

| Pipe Size | Actuator* with Valve Model No. | A | | B | | C | | D | | E | | F | | H | | G |
|-----------|--------------------------------|-------|--------|-------|--------|-------|--------|------|--------|------|--------|------|-------|------|--------|----------|
| | | IN. | MM | IN. | MM | IN. | MM | IN. | MM | IN. | MM | IN. | MM | | | |
| 3" | EBV-300 – | 11.93 | 303.00 | 7.28 | 184.90 | 18.54 | 470.90 | 8.50 | 216.00 | 7.00 | 178.00 | 2.78 | 70.60 | 4.00 | 101.60 | 1/2" NPT |
| 4" | EBV-400 – | 12.83 | 325.80 | 10.35 | 262.80 | 21.61 | 548.80 | 8.50 | 216.00 | 7.00 | 178.00 | 2.78 | 70.60 | 4.00 | 101.60 | 1/2" NPT |

* To complete the Model Numbers refer to the ordering chart below. Voltage must be specified with model number.

Accessories & Options:

- Auxiliary Switches: Dry contact switches for position indication or control of peripheral equipment.
- Feedback Potentiometer: Resistive position feedback and control applications
- Control Relays: Two wire control applications.
- Heater and Thermostat: Low temperature or high humidity applications
- Breather and Drain: Humidity control
- Proportional Positioner: Control applications using analog (4-20mA, 0-10dc) signals.
- Feedback Transmitter: Position feedback, 4-20mA
- Speed Control: Applications requiring slow cycle times, i.e. water hammer.
- Timers: Repeat cycle applications, valve open and close at same time every day.
- Visual Indicator: Fast visual valve position indication
- Torque sensor: Shuts actuator off in stall condition.
- Controls: Simple on/off to process control for temperature, pressure, flow, etc.
- Mounting Hardware: To adapt actuator to valve.

Ordering Information

Order by part number and specify exact chemicals, temperatures and pressures. To arrive at the proper part number, please consult diagram below.

The letters and numbers used in this part number are for example only!

| | | | | | |
|---|------------------------|----------|----------------------|--|---|
| EBV | 300 | X | V | T | -PV |
| ELECTRIC BALL VALVE | VALVE PIPE SIZE | | SEAL MATERIAL | CONNECTIONS | BODY MATERIAL |
| | 300 3" | | V FKM | S Socket Ends | -PV Polyvinyl Chloride (PVC) |
| | 400 4" | | EP EPDM | T Threaded Ends | -CP Chlorinated Polyvinyl Chloride (CPVC) |
| SPECIAL DESIGNATION | | | | F Flanges* | -PP Beige Polypro |
| When "X" appears in this spot, it designates BSP threads. | | | | *Flanges are not usually needed with true-union ball valves. | -PF PVDF |
| VENTED BALL — | | | | | |
| Add "Z-EBV-VENT" for sodium hypochlorite. | | | | | |