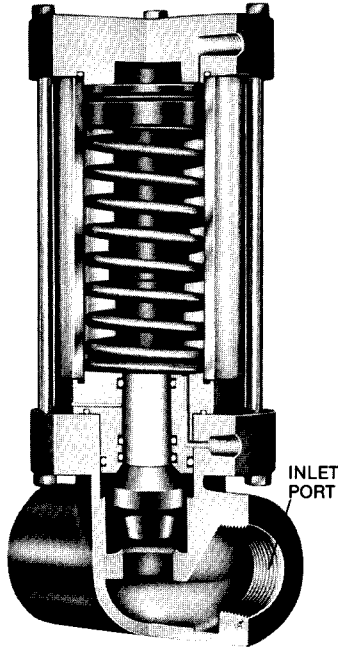


SERIES EST-NO & BST-NO

SPRING PRESSURE TO OPEN AND AIR PRESSURE TO CLOSE



SERIES EST-NO

3/4 - 2

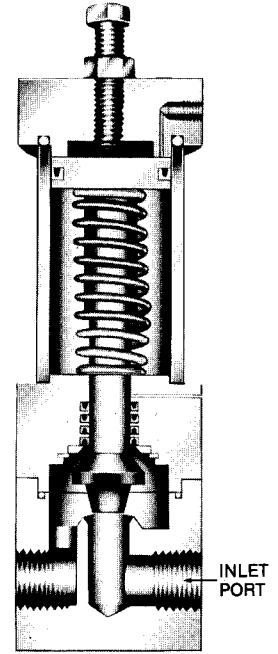
FEATURES

- Teflon shaft for non-sticking
- Clear acrylic cylinder for visual indication of valve position
- Million cycle design with bubble tight shutoff
- Manual set throttling limit stop available
- Fail-Dry design

SPECIFICATIONS

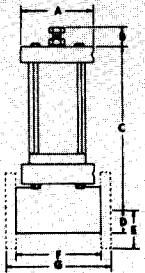
	SERIES EST-NO	SERIES BST-NO
BODY	PVC	PVC
CYLINDER WALLS	ACRYLIC	
SEALS	BUNA-N, VITON & EPDM	
SHAFT	20% GLASS FILLED TEFLON	
FASTENERS	STAINLESS STEEL	
SERVICE	PRESSURE or VACUUM	
OPTIONS:		
ENDS	SOCKET or FLANGED	
AIR SOLENOID	3-WAY	

Air Inlet Connection is 1/8 NPT



SERIES BST-NO

1/2

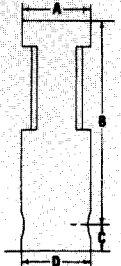


SERIES EST-NO DIMENSIONS

	3/4		1		1 1/4		1 1/2		2	
	in.	mm	in.	mm	in.	mm	in.	mm	in.	mm
A	3 1/2	88.9	3 3/4	95.3	4 9/16	115.9	5	127.0	6	152.4
B (max)	1 3/4	44.5	1 3/4	44.5	1 5/8	41.3	1 3/4	44.5	2 3/8	60.3
C	8	203.2	9	228.6	10 3/16	255.6	12 3/4	323.9	12 3/4	323.9
D	1	25.4	1 1/8	28.6	1 3/8	34.9	1 3/8	34.9	1 11/16	42.9
E	1 15/16	49.2	2 1/8	54.0	2 5/16	50.8	2 1/2	63.5	3	76.2
F	3 11/16	93.7	4 1/2	114.3	5 1/2	139.7	5 1/2	139.7	7 1/8	181.0
G	4 11/16	119.1	5 5/8	142.9	6 3/4	171.5	6 7/8	174.6	8 5/8	219.1

SERIES BST-NO DIMENSIONS

	1/2	
	in.	mm
A	2 3/8	60.3
B	6 1/2	165.1
C	1 3/8	34.9
D	2 3/8	60.3



PRESSURE RATINGS

LIQUID:

Maximum: 125 PSI (8,63 bars)
Minimum: Not Required

AIR:

Maximum: 100 PSI (6,90 bars)

RECOMMENDED MINIMUM AIR PRESSURE REQUIRED TO CLOSE VALVE AGAINST LIQUID LINE PRESSURE

LIQUID LINE PRESSURES	psi		25		50		75		100		125	
	psi	bars	psi	bars	psi	bars	psi	bars	psi	bars	psi	bars
0	0	0	1.73		3.45		5.18		6.90		8.63	
PIPE SIZE	psi	bars	psi	bars	psi	bars	psi	bars	psi	bars	psi	bars
1/2	30	2,06	30	2,06	30	2,06	30	2,06	30	2,06	30	2,06
3/4	45	3,11	45	3,11	50	3,45	55	3,80	55	3,80	60	4,14
1	40	2,76	40	2,76	40	2,76	45	3,11	50	3,45	55	3,80
1 1/4	40	2,76	40	2,76	40	2,76	45	3,11	50	3,45	55	3,80
1 1/2	40	2,76	40	2,76	40	2,76	45	3,11	50	3,45	55	3,80
2	40	2,76	40	2,76	40	2,76	45	3,11	50	3,45	55	3,80

CAUTION:

Use air flow rate valves to slow down valve closing speed in applications where water hammer is present. Especially important in larger pipe sizes with high flow rates.

SERIES EST-NO PART NUMBERS

PIPE SIZE	Cv FACTOR	FULL OPEN TO FULL CLOSE		MANUALLY SET THROTTLING LIMIT STOP	
		EPDM SEALS	VITON SEALS	EPDM SEALS	VITON SEALS
3/4	8.5	EST075EP-NO	EST075V-NO	EST075EP-NO-LS	EST075V-NO-LS
1	15.0	EST100EP-NO	EST100V-NO	EST100EP-NO-LS	EST100V-NO-LS
1 1/4	24.0	EST125EP-NO	EST125V-NO	EST125EP-NO-LS	EST125V-NO-LS
1 1/2	33.0	EST150EP-NO	EST150V-NO	EST150EP-NO-LS	EST150V-NO-LS
2	60.0	EST200EP-NO	EST200V-NO	EST200EP-NO-LS	EST200V-NO-LS

SERIES BST-NO PART NUMBERS

PIPE SIZE	Cv FACTOR	FULL OPEN TO FULL CLOSE		MANUALLY SET THROTTLING LIMIT STOP	
		EPDM SEALS	VITON SEALS	EPDM SEALS	VITON SEALS
1/2	3.6	BST050EP-NO	BST050V-NO	BST050EP-NO-LS	BST050V-NO-LS

NOTE: For Buna-N seals remove "EP" or "V" and substitute "B" in the part number

DIMENSION & PART NUMBER UPDATE – SERIES EAT, ELT, EST 2-Way Valves Design Revision • Machined Solid Bodies

DESIGN:

Series EAT, ELT and EST 2-Way Shut-off Valves with visual position indicator have been re-designed. The main valve body is now machined from solid thermoplastic stock; the previous design was fabricated.

SPECIFICATIONS:

The pressure ratings, pressure requirements, material specifications and features in Catalog ASO-3 still apply and should be referred to.

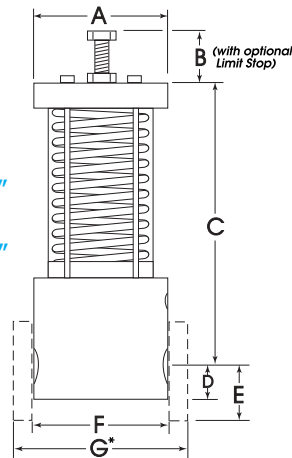
PART NUMBERS:

To avoid confusion with parts and seal kits for fabricated valves, the part numbers for the new designs have been changed. For all future EAT, ELT, EST-NC and EST-NO orders, replace the "E" in the part number with a "B". For example, EST100V-NC-PV should be ordered as BST100V-NC-PV.

DIMENSIONS:

Some of the body dimensions have changed. Please refer to the tables below for all BAT, BLT and BST valves 3/4" through 2". For 1/2" sizes and diverter valves (F & BFS), the dimensions in Catalog ASO-3 still apply.

SERIES "BST-NC"
&
SERIES "BST-NO"



SERIES "BST-NC" DIMENSIONS

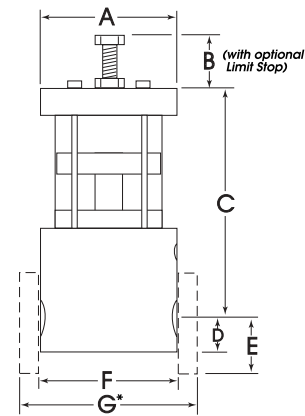
	in. 3/4"	mm	in. 1"	mm	in. 1 1/4"	mm	in. 1 1/2"	mm	in. 2"	mm
A	3 1/2	88.9	3 3/4	95.3	4 9/16	115.9	5	127.0	6	152.4
B _(max)	1 3/4	44.5	1 3/4	44.5	1 5/8	41.3	1 3/4	44.5	2 3/8	60.3
C	9 3/8	238.0	11 5/16	287.3	13	330.2	15	381.0	15 13/16	401.6
D	1 5/32	29.2	1 3/8	34.8	1 25/32	45.2	1 25/32	45.2	1 15/32	37.1
E	1 15/16	49.2	2 1/8	53.8	2 5/16	58.7	2 1/2	63.5	3	76.2
F	3	76.2	4	101.6	4 1/2	114.3	6	152.4	5	127.0
G*	4	101.6	5	127.0	5 3/4	146.1	7 3/8	187.2	8 1/2	215.9

SERIES "BST-NO" DIMENSIONS

	in. 3/4"	mm	in. 1"	mm	in. 1 1/4"	mm	in. 1 1/2"	mm	in. 2"	mm
A	3 1/2	88.9	3 3/4	95.3	4 9/16	115.9	5	127.0	6	152.4
B _(max)	1 3/4	44.5	1 3/4	44.5	1 5/8	41.3	1 3/4	44.5	2 3/8	60.3
C	9 1/16	230.1	9 15/16	236.5	11 5/16	287.3	14 1/8	358.6	14 3/4	374.7
D	1 5/32	29.2	1 3/8	34.8	1 25/32	45.2	1 25/32	45.2	1 15/32	37.1
E	1 15/16	49.2	2 1/8	53.8	2 5/16	58.7	2 1/2	63.5	3	76.2
F	3	76.2	4	101.6	4 1/2	114.3	6	152.4	5	127.0
G*	4	101.6	5	127.0	5 3/4	146.1	7 3/8	187.2	8 1/2	215.9

G* Dimension is inlet-to-outlet with optional flanged ends.

SERIES "BAT"
&
SERIES "BLT"



SERIES "BAT" DIMENSIONS

	in. 3/4"	mm	in. 1"	mm	in. 1 1/4"	mm	in. 1 1/2"	mm	in. 2"	mm
A	3 1/2	88.9	3 3/4	95.3	4 9/16	115.9	5	127.0	6	152.4
B _(max)	1 3/4	44.5	1 3/4	44.5	1 5/8	41.3	1 3/4	44.5	2 3/8	60.3
C	6 9/16	166.6	7 3/8	187.2	8 5/16	211.1	9	228.6	10 3/16	258.6
D	1 5/32	29.2	1 3/8	34.8	1 5/8	41.1	1 7/8	47.5	1 15/32	29.2
E	1 15/16	49.2	2 1/8	53.8	2 5/16	58.7	2 1/2	63.5	3	76.2
F	3	76.2	4	101.6	4 1/2	114.3	6	152.4	5	127.0
G*	4	101.6	5	127.0	5 3/4	146.1	7 3/8	187.2	8 1/2	215.9

SERIES "BLT" DIMENSIONS

	in. 3/4"	mm	in. 1"	mm	in. 1 1/4"	mm	in. 1 1/2"	mm	in. 2"	mm
A	3 1/2	88.9	3 3/4	95.3	4 9/16	115.9	5	127.0	6	152.4
B _(max)	1 3/4	44.5	1 3/4	44.5	1 5/8	41.3	1 3/4	44.5	2 3/8	60.3
C	5 5/16	134.9	5 9/16	141.2	6 3/8	161.8	6 5/8	168.2	8 7/8	225.3
D	1 5/32	29.2	1 3/8	34.8	1 7/8	47.5	1 7/8	47.5	1 1/2	38.1
E	1 15/16	49.2	2 1/8	53.8	2 5/16	58.7	2 1/2	63.5	3	76.2
F	3	76.2	4	101.6	4 1/2	114.3	6	152.4	5	127.0
G*	4	101.6	5	127.0	5 3/4	146.1	7 3/8	187.2	8 1/2	215.9

G* Dimension is inlet-to-outlet with optional flanged ends.



PLAST-O-MATIC VALVES, INC.

1384 Pompton Avenue, Cedar Grove, New Jersey 07009-1095
(973) 256-3000 • Fax (973) 256-4745 • www.plastomatic.com