

Process Cooling Water Stick Return Side



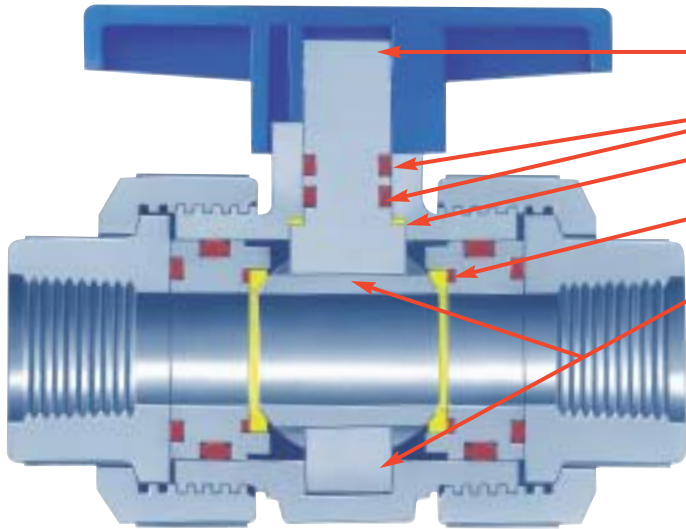
Features:

- No corrosion, no maintenance.
- 2 connections per stick.
- One tag number per stick.
- Molded, Machined & Assembled in USA.
- 100% tested at the factory.
- Lower cost and smaller footprint than individually assembled sticks.
- Easily adapts to any piping configuration.

Design:

Incorporates quarter-turn True Blue trunion ball valve, pressure and temperature gauge, and in-line flow meter with visual indicators in a small footprint stick. Gauge face and flow meter are aligned for quick, at-a-glance reading. Stick is reinforced to minimize possibility of damage. A variety of end connectors and custom valve combinations can be specified. Wetted metals on gauge (brass) and flow meter (T300 Stainless). Ball valve can be actuated at anytime. All units built in USA and individually tested.

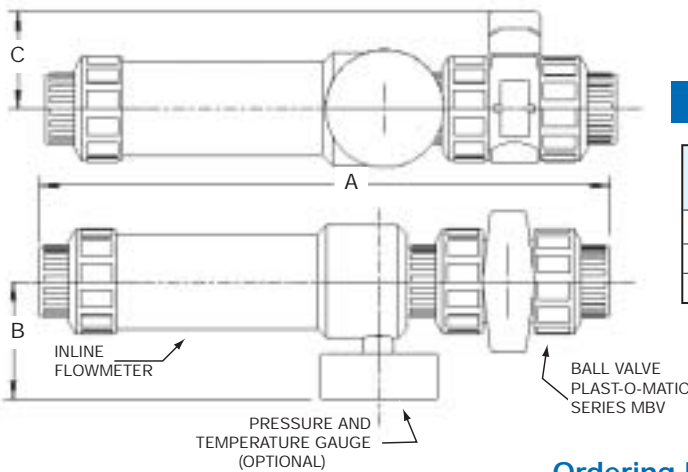
An engineered true union ball valve for manual and actuated valve applications



Features:

- Heavy-duty, large diameter shaft to eliminate flexing and breakage.
- Dual shaft seals eliminate leakage.
- PTFE bearing on shaft eliminates friction and wear; stem design is "blow-out" proof.
- PTFE seats energized with O-rings eliminate wear and improve cycle life.
- Trunion design eliminates lateral ball stress and allows downstream piping to be disconnected under full line pressure.
- Fully concentric and mirror polished ball assures smooth, leakproof operation.
- Multi-direction flow means valve cannot be piped in backwards.
- Smooth flow path eliminates pressure loss.
- True-union ends for ease of piping installation and removal.
- Mounting lugs on body for piping support or easy attachment of True Blue Actuators.

Each valve is 100% individually inspected and tested prior to shipment.



DIMENSIONS & MODEL NUMBERS

Pipe Size	Part # Prefix	A		B		C	
		IN.	MM	IN.	MM	IN.	MM
1/2"	PCWR050	13 1/8"	333	3	76	2	51
3/4"	PCWR075	13 5/8"	347	3 1/4"	83	2 1/2"	64
1"	PCWR100	14 1/2"	369	3 1/4"	83	3	77

Preliminary dimensions, subject to change. 1 1/2" & 2" sizes available, consult factory. Pressure gauge standard; dual gauge optional.

Ordering Information

Order by part number and specify exact chemicals, temperatures and pressures. To arrive at the proper part number, please consult diagram below. The letters and numbers used in this part number are for example only!

PCWR	100	X	V	I	-PV
PROCESS COOLING WATER RETURN	VALVE PIPE SIZE		SEAL MATERIAL		BODY MATERIAL
	050 1/2"		V FKM		-PV Polyvinyl Chloride (PVC)
	075 3/4"		EP EPDM		-CP Chlorinated Polyvinyl Chloride (CPVC)
	100 1"				-PP Polypro
SPECIAL DESIGNATION			CONNECTIONS		-PF PVDF
When "X" appears in this spot, it designates BSP threads.			S Socket Ends		
			T Threaded Ends		
			Spigots and other connection types available.		

FOR CUSTOM VALVE AND END CONNECTOR COMBINATIONS, CONSULT FACTORY.

PLAST-O-MATIC

VALVES, INC.

1384 Pompton Avenue, Cedar Grove, NJ 07009
 (973) 256-3000 • Fax (973) 256-4745
 www.plastomatic.com • info@plastomatic.com

AUTHORIZED PLAST-O-MATIC DISTRIBUTOR