

3" Angle Relief Valve - RVTX300

ADVANTAGES:

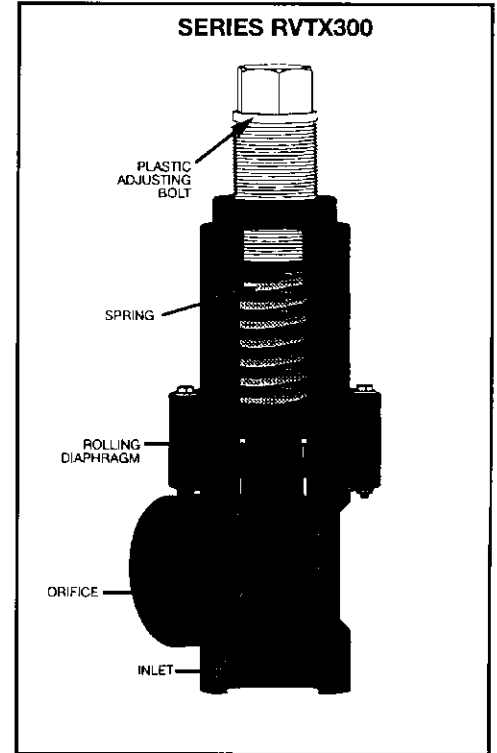
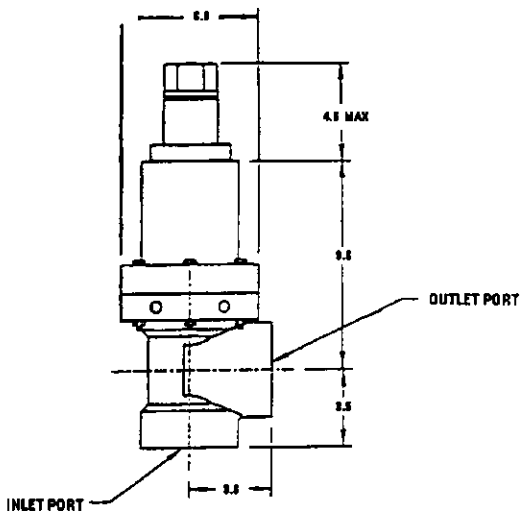
- Protect systems & equipment from dangerous overpressures.
- Available in pipe size 3".
- For use as straight relief, by-pass or back pressure regulator.
- Offers wide range of pressure settings: 5-100 PSI (.4-10,4 bar).
- Tamper proof seal optional.
- Utilizes rolling diaphragm design.

FLOW CAPACITY:

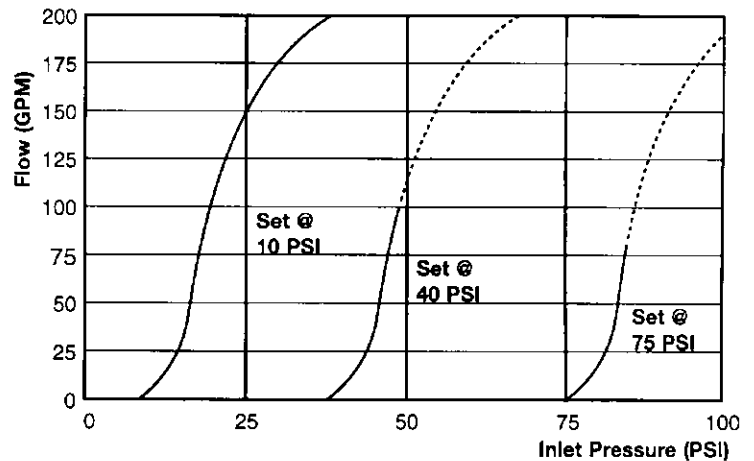
Max: 200 GPM (757 l/min)

Setting Between:	0.4-1.8 bar	1.8-7 bar
Over pressure for full flow	1.0 bar	40%

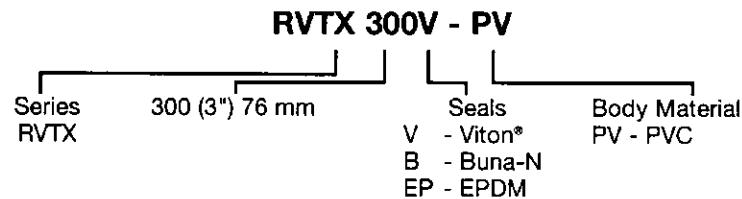
DIMENSIONS:



FLOW CURVES

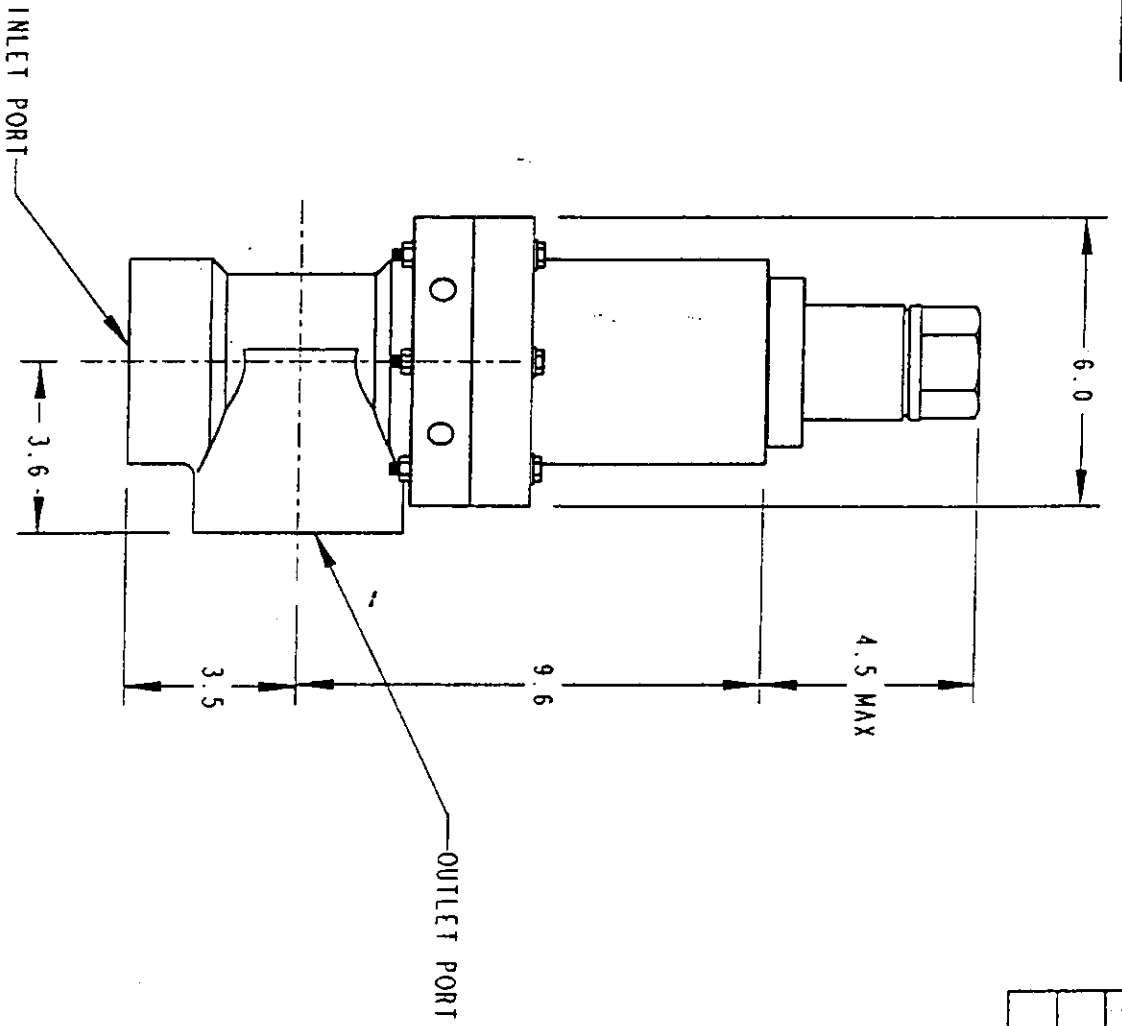


ORDERING INFORMATION:



PLAST-O-MATIC
VALVES, INC.

1384 Pompton Ave., Cedar Grove, NJ 07009
(973) 256-3000 • Fax: (973) 256-4745 • www.plastomatic.com
E-Mail: info@plastomatic.com



ECN	SYM	DATE	DESCRIPTION	DR

MODEL NAME:
RVIX300

SCALE 0.250

PLAST-O-MATIC VALVES, INC.				
1384 POMPTON AVE, CEDAR GROVE, NJ 07009				
MATERIAL	SCALE	SIZE	DRAWN BY	
	0.250	A	RHR	
TITLE RVIX300, RELIEF VALVE, DIMENSIONAL DWG				DRAWER
DATE	SHEET .OF.	DRAWING NUMBER	REV	
3-12-98	1 OF 1	RVIX300B-PV		