

Series WC: Price & Performance

Tough, Rugged 1/2" Engineered Thermoplastic Solenoid Valves
for Water and Mild Solutions



Designed for applications requiring a compact, very cost effective and high pressure rated valve with extended cycle life. This valve is ideal if your process uses less aggressive liquids that are compatible with a wetted metal core. Among lower cost solenoid valves, Series WC represents the best combination of price and performance available.

- 125 PSI inlet and backpressure rating with 0.4 Cv
- Continuous duty, NEMA 4X CSA approved coil
- Rugged black polypropylene design

FEATURES:

- **Compact Size:** At just under 4 inches high, these valves are ideal for limited space installations. Weighs just 14 oz., total.
 - **Economical:** Low unit cost coupled with high pressure ratings and considerable flow rate (Cv of 0.4) offer excellent opportunities for systems requiring quick opening/quick closing solenoid valves.
 - **High Pressure:** Particularly for applications where high backpressures (up to 125 PSI) are required e.g. controlling flow to spray nozzles, high pressure water injections, etc. Inlet pressure to 125 PSI. Series WC will open or close under any combination of pressures, as long as backpressure does not significantly exceed inlet pressure. (Please contact our Technical Group at 973-256-3000 if you have questions about your specific application).
- **Unique Design:** Polypropylene cover isolates coil and protects valve body from excessive heat, permitting up to 60 cycles per minute.
 - **Versatility:** The wetted metal core is well suited to city water, many wastewater applications, pure water, and mild chemicals.
 - **Superior Performance:** Virtually 2,000,000 cycles.
 - **Energy Efficient:** Molded 11 Watt NEMA 4X style coil with DIN standard connector results in low energy consumption...CSA approved. Size: 1/2 in. pipe size with .14" (3.05 mm) orifice.
 - **Corrosion Resistant:** Rugged thermoplastic construction is resistant to atmospheric corrosion and UV.



PLAST-O-MATIC VALVES, INC.

1384 Pompton Avenue, Cedar Grove, New Jersey 07009

(973) 256-3000 • Fax (973) 256-4745 • www.plastomatic.com

VALVE SPECIFICATIONS

Piping Connections: 1/2" female NPT

Orifice Size: 0.14" (3.05 mm)

Cv Rating: 0.4

Inlet Pressure Rating: Full vacuum to 125 psi maximum.

Backpressure Rating: Full vacuum to 125 psi maximum.

Backpressure Limitation: If backpressure exceeds inlet pressure, valve will begin to open.

Operation: Direct acting; needs no minimum differential pressure to open or close. Bubble-tight shutoff.

Maximum Cycle Rate: 60 cycles per minute at 104°F/ 40°C

Tested Cycle Life: 2,000,000+. Recommend inspection of elastomeric disk every 1,000,000 cycles.

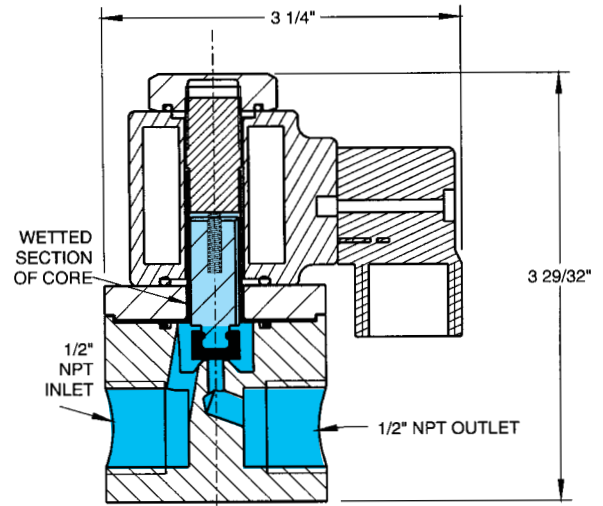
Weight: 14 oz. with coil and connector.

Body Material: Black polypropylene.

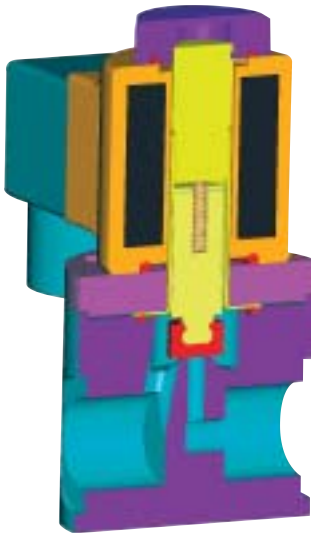
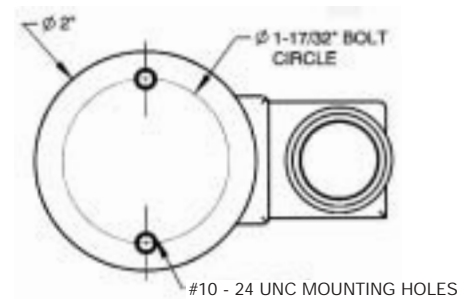
Elastomers: EPDM or Viton; no dynamic seals

Wetted Core Materials: 300 Series and 430F stainless steel, silver.

Model Numbers: WC4EP6W11-PP (EPDM) and WC4V6W11-PP (Viton). Model numbers shown with standard coil; see below.



FLOWPATH SHOWN IN BLUE



COIL SPECIFICATIONS:

Electrical: 120V AC $\pm 10\%$; 11 watts

Ratings: NEMA 4X (IP65)

Connector: DIN 43650 supplied

Coil and DIN Connector are CSA approved



OPTIONS:

Coil Connector Light: Can be ordered with this feature, which lights up to show when the solenoid is energized.

Alternate Coil and Materials: May be available, depending on quantities and temperature compatibility. Please contact our Technical Group at (973) 256-3000 or e-mail: info@plastomatic.com to discuss your application.